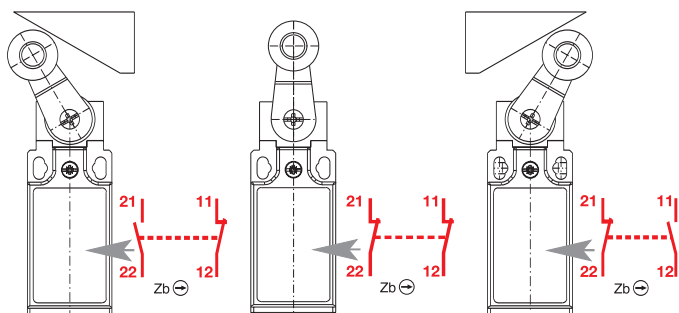


**New**



## AP•V41J02

**Interruttore serie AP con contatti indipendenti**  
**AP series limit switch with independent contacts**

L'interruttore si presenta a riposo con due contatti NC. L'azionamento della leva provoca l'apertura del contatto relativo alla direzione di azionamento, lasciando inalterato lo stato del secondo contatto. Entrambi i contatti sono ad apertura positiva in accordo alle normative IEC/EN 60947-5-1.

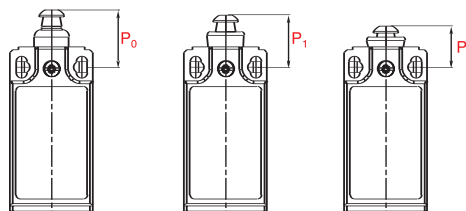
*The Switch is settled with 2NC contacts in free position.*

*The actuation of the lever causes the opening of the contact related to the actuating direction, leaving unchanged the status of the second contact.*

*Both contacts have positive opening operation according to IEC/EN 60947-5-1 standards.*

Altre versioni disponibili a richiesta.  
Other versions available on request

**New**



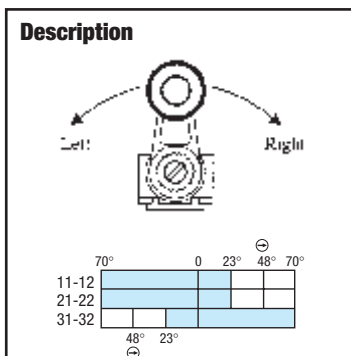
## AP•R002J11R

**Interruttore di sicurezza per limitatori di velocità**  
**Safety Switch for application on over-speed devices**

L'interruttore è stato progettato specificatamente per l'applicazione nei limitatori di velocità. Azionando il pulsante fino alla posizione di scatto  $P_1$ , si ottiene la commutazione dei contatti elettrici; contemporaneamente il pulsante prosegue automaticamente la propria corsa fino alla posizione  $P_2$ . Il sistema viene ripristinato tirando il pulsante fino alla posizione di riposo  $P_0$ . L'interruttore può essere fornito con contatti 1NA+1NC (AP•R002J11R) oppure 2NC (AP•R002J02R); i contatti NC sono ad apertura positiva.

*The switch has been designed specifically for applications on over-speed devices; by actuating the plunger until the operating position  $P_1$ , the electrical contacts switch and simultaneously the plunger reaches position  $P_2$  automatically. The device is restored by pulling the blue plunger until the free position  $P_0$ . The switch can be supplied with 1NO+1NC contacts (AP•R002J11R) or with 2NC contacts (AP•R002J02R); all the NC contacts have positive opening operation.*

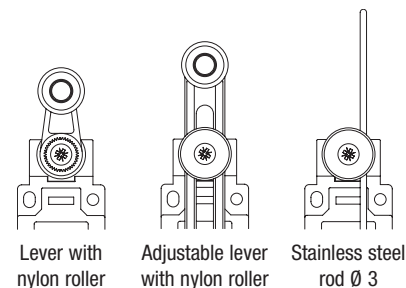
## BP•U series 40 mm. polymeric limit switches - IP 65 □ - EN 50041 - 1 cables entry



- The lever on the right open contacts 11-12 and 21-22
- The lever on the left open contacts 31-32
- Positive opening of the contacts on both the directions
- Other levers available

### Cable inlets

- BP1:** PG 13.5
- BP2:** 1/2" NPT
- BP5:** M 20 x 1,5

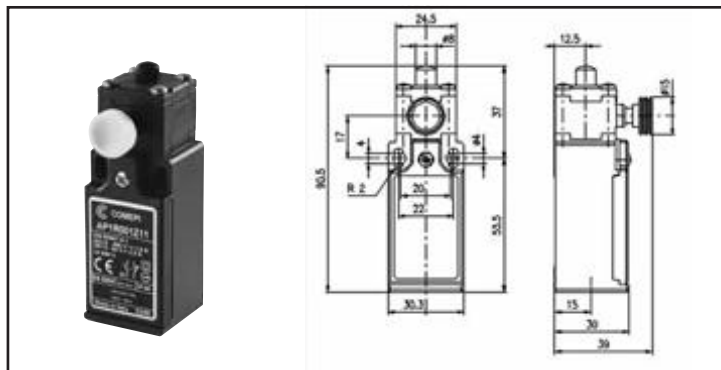


### Contact blocks

**J03 (3NC)**

↔	<b>U41</b>	↔	<b>U51</b>	↔	<b>U71</b>
	BP1U41J03		BP1U51J03		BP1U71J03

## AP•R001 series 30 mm. polymeric limit switches - IP 65 □ - EN 50047 - 1 cables entry



### Cable inlets

Replace the symbol • with the number of the required thread

- AP1:** PG 13.5
- AP2:** 1/2" NPT (with adapter)
- AP3:** PG 11
- AP4:** M 16 x 1,5
- AP5:** M 20 x 1,5

### Description

This particular limit switch has been developed in order to fulfill all the requests coming from applications in which there is the necessity to simulate the change over in contacts position without acting directly, on the plunger of the switch. The use of this device is particularly useful in the realization of electrical boards in order to simulate the closing of the door simply by pushing the yellow button on the limit switch; the assigned staff will then be able to work on the internal circuit to make modifications, maintenance, etc... The conditions of normal operation are automatically restored once the door of the electric board is closed.

### Example of application

