

Electrical Connection

Pre-Wired

Cable: PVC 4 x 0,75 mm²

Length: 1 m.

(Different cables or lengths, page 13)



G11 - Plain plunger



G1• - Roller plunger

G12: metal roller
G13: nylon roller



G1• - Cross roller plunger

G14: metal roller
G15: nylon roller

Operating Head Type

Conformity / \rightarrow (N.C. contact with positive opening operation)

Max actuation speed [m/s]

Min. force [N] or torque [Nm]: actuation / positive opening operation

0,5
15 / 30

0,1
10 / 30

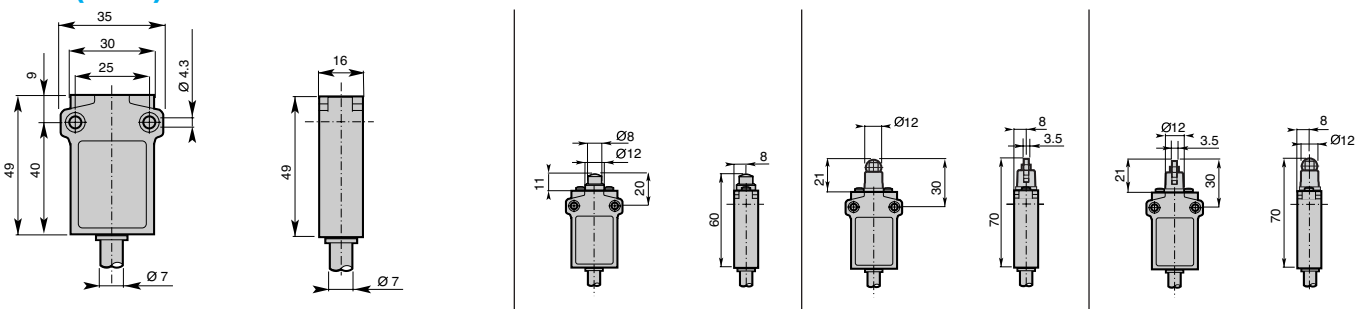
0,1
10 / 30

Additional Technical Datas

Z	Order Code	EP2G11Z	EP2G1•Z	EP2G1•Z
Snap Action Contacts (1NO + 1NC)	Operation Diagram			
X	Order Code	EP2G11X	EP2G1•X	EP2G1•X
Non overlapping Slow Action Contacts (1NO + 1NC)	Operation Diagram			

Weight (packing per unit)	[kg]	0,125	0,130	0,130
----------------------------------	-------------	--------------	--------------	--------------

Dimensions (in mm)





G16 - Plain plunger with dust protection cup

0,5
15 / 30



G21 - Plain plunger with fixing nuts

0,5
15 / 30



G2• - Roller plunger with fixing nuts

G22: Metal roller
G23: Nylon roller

0,1
10 / 30



G2• - Cross roller plunger with fixing nuts

G24: metal roller
G25: nylon roller

0,1
10 / 30



G4• - Ø 14 roller lever

G41: nylon roller
G42: metal roller
G43: ball bearing

1,5
0,08 / 0,28

<p>EP2G16Z</p>	<p>EP2G21Z</p>	<p>EP2G2•Z</p>	<p>EP2G2•Z</p>	<p>EP2G4•Z</p>
<p>EP2G16X</p>	<p>EP2G21X</p>	<p>EP2G2•X</p>	<p>EP2G2•X</p>	<p>EP2G4•X</p>

0,130	0,140	0,145	0,145	0,175

Electrical Connection

Pre-Wired

Cable: PVC 4 x 0,75 mm²

Length: 1 m.

(Different cables or lengths, page 13)



**G45 - Ø 18
nylon roller lever**



**G51 - Adjustable lever
with Ø 18
nylon roller**



**G5100 - Adjustable
toothed lever
(step 2 mm) with
Ø 18 nylon roller**

Operating Head Type

Conformity / (N.C. contact with positive opening operation)

Max actuation speed [m/s]

Min. force [N] or torque [Nm]: actuation / positive opening operation

1,5
0,08 / 0,28

1,5
0,08 / 0,28

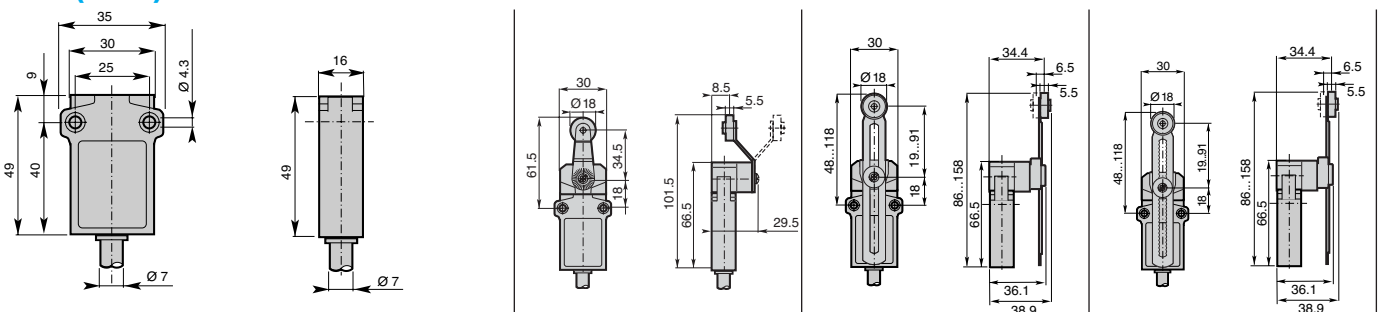
1,5
0,08 / 0,28

Additional Technical Datas

Z	Order Code	EP2G45Z	EP2G51Z	EP2G5100Z
Snap Action Contacts (1NO + 1NC)	Operation Diagram			
Non overlapping Slow Action Contacts (1NO + 1NC)	Operation Diagram			

Weight (packing per unit)	[kg]	0,180	0,190	0,190
----------------------------------	-------------	--------------	--------------	--------------

Dimensions (in mm)



EP2G Limit Switches

Pre-wired - Double Insulation

Plastic Casing IP67 - 35 mm. width



G61 - Nylon actuator with stainless steel spring



G7• - Adjustable rod lever

G71: stainless steel rod Ø3
G72: fiberglass rod Ø3
G75: square steel rod 3x3



G7• - Adjustable Ø 6 rod lever

G73: nylon rod
G74: fiberglass rod



G92: Multidirectional nylon actuator with stainless steel spring



G93: Multidirectional actuator with stainless steel spring

1,5 0,08 / -	1,5 0,08 / 0,28	1,5 0,08 / 0,28	1,0 0,10 / -	1,0 0,10 / -
-----------------	--------------------	--------------------	-----------------	-----------------

<p>EP2G61Z</p>	<p>EP2G7•Z</p>	<p>EP2G7•Z</p>	<p>EP2G92Z</p>	<p>EP2G93Z</p>
<p>EP2G61X</p>	<p>EP2G7•X</p>	<p>EP2G7•X</p>		

0,190	0,185	0,200	0,195	0,200